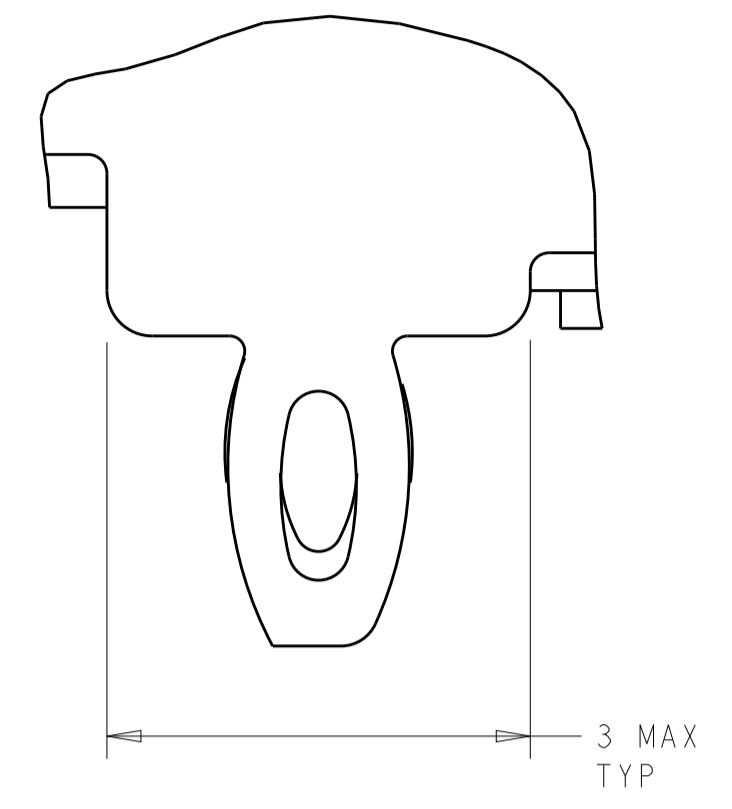
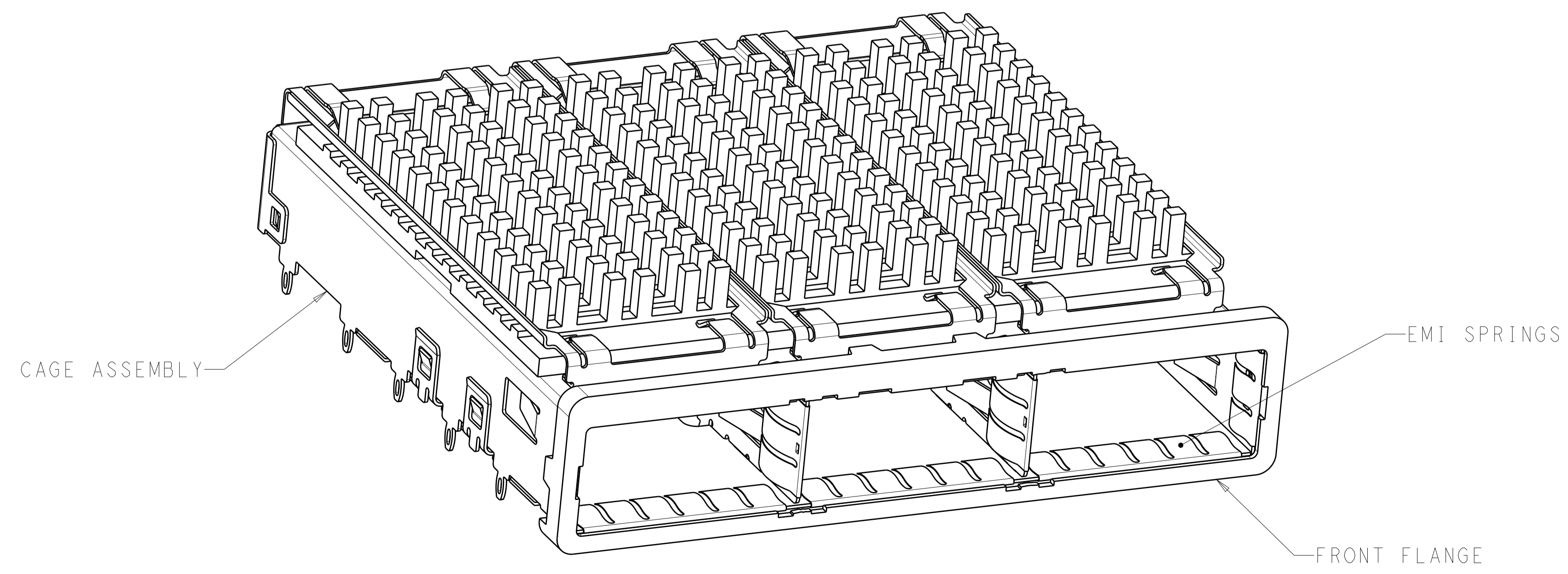
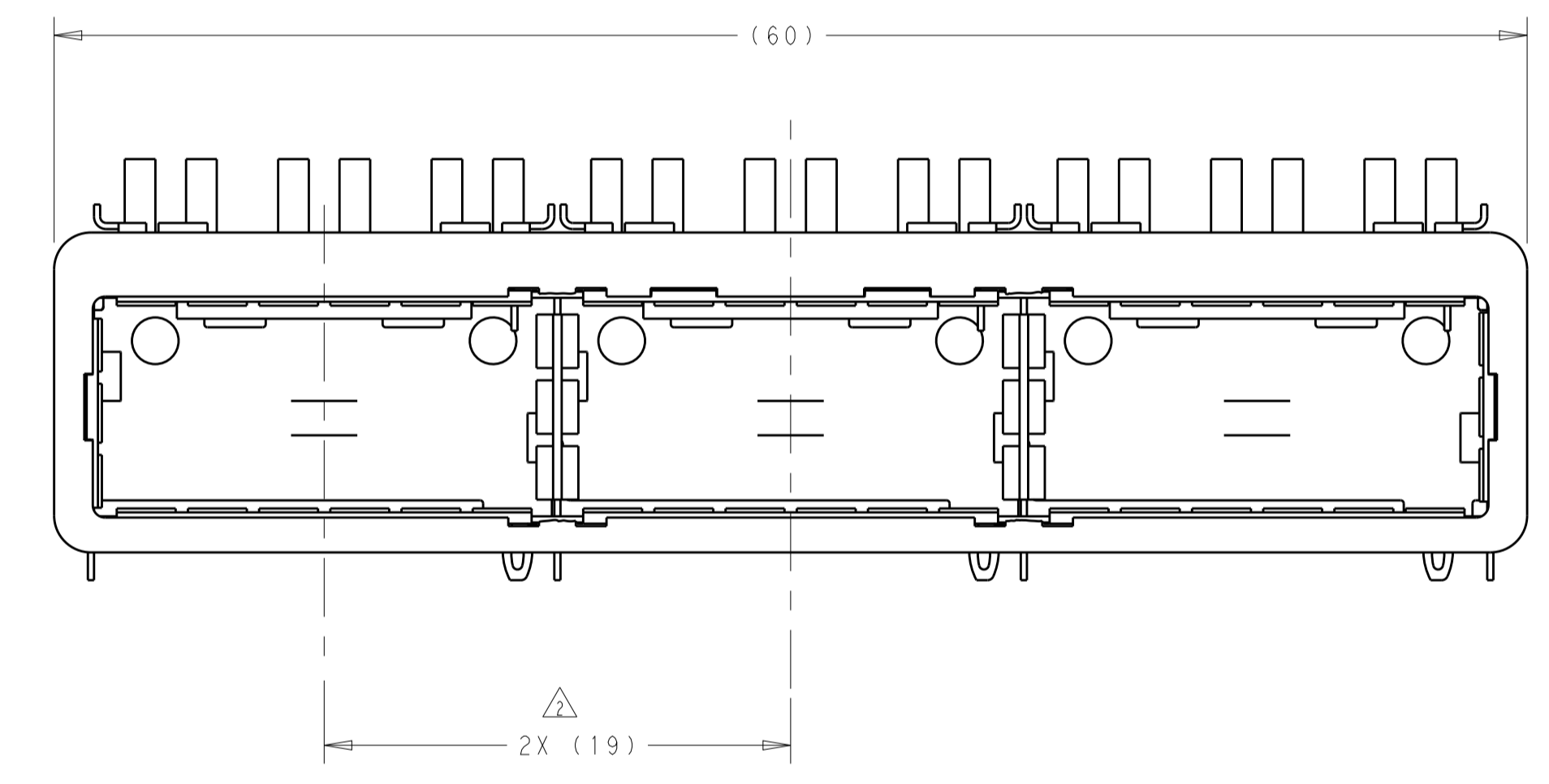
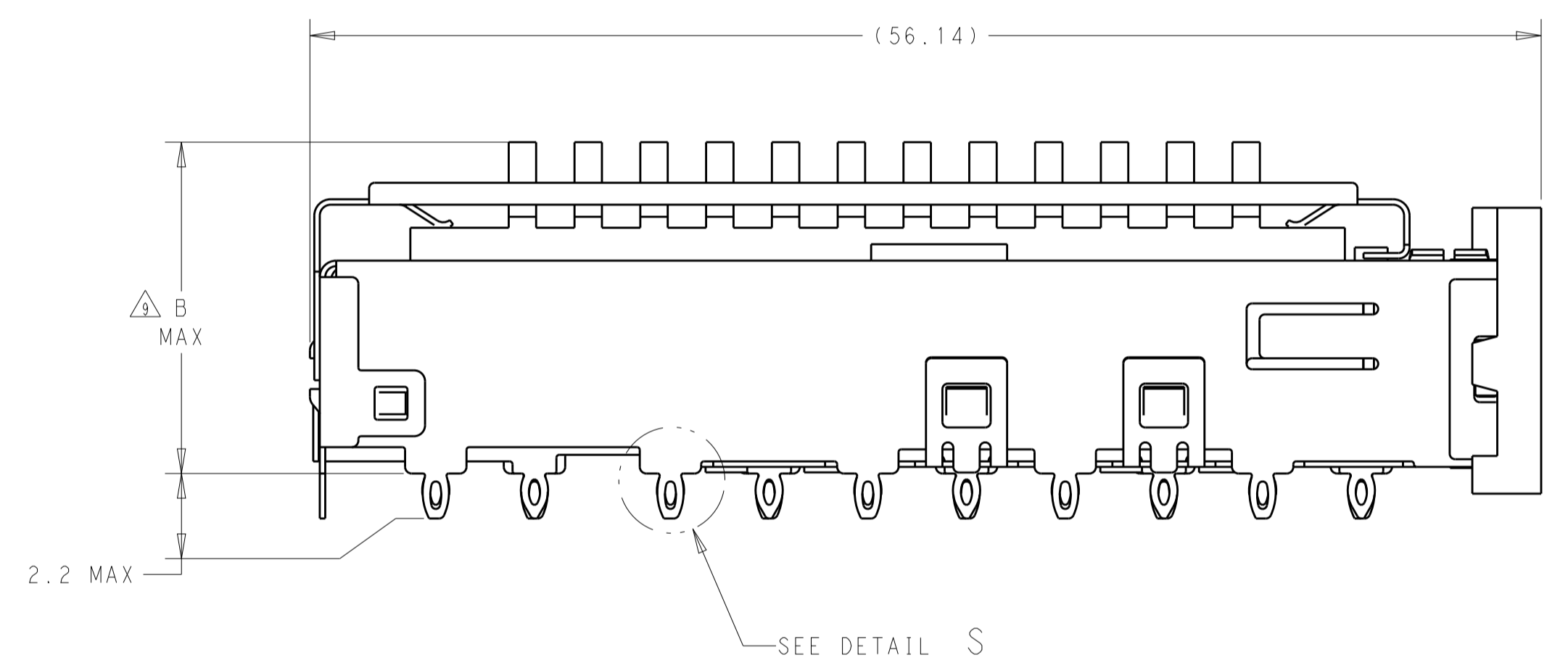


LOC		DIST		REVISIONS			
GP	00	P	LTN	DESCRIPTION	DATE	DWN	APVD
		A		RELEASED PER ECO-13-000076	16JAN2013	CJV	EDB



DETAIL S  $\Delta 12$   
 SCALE 20:1

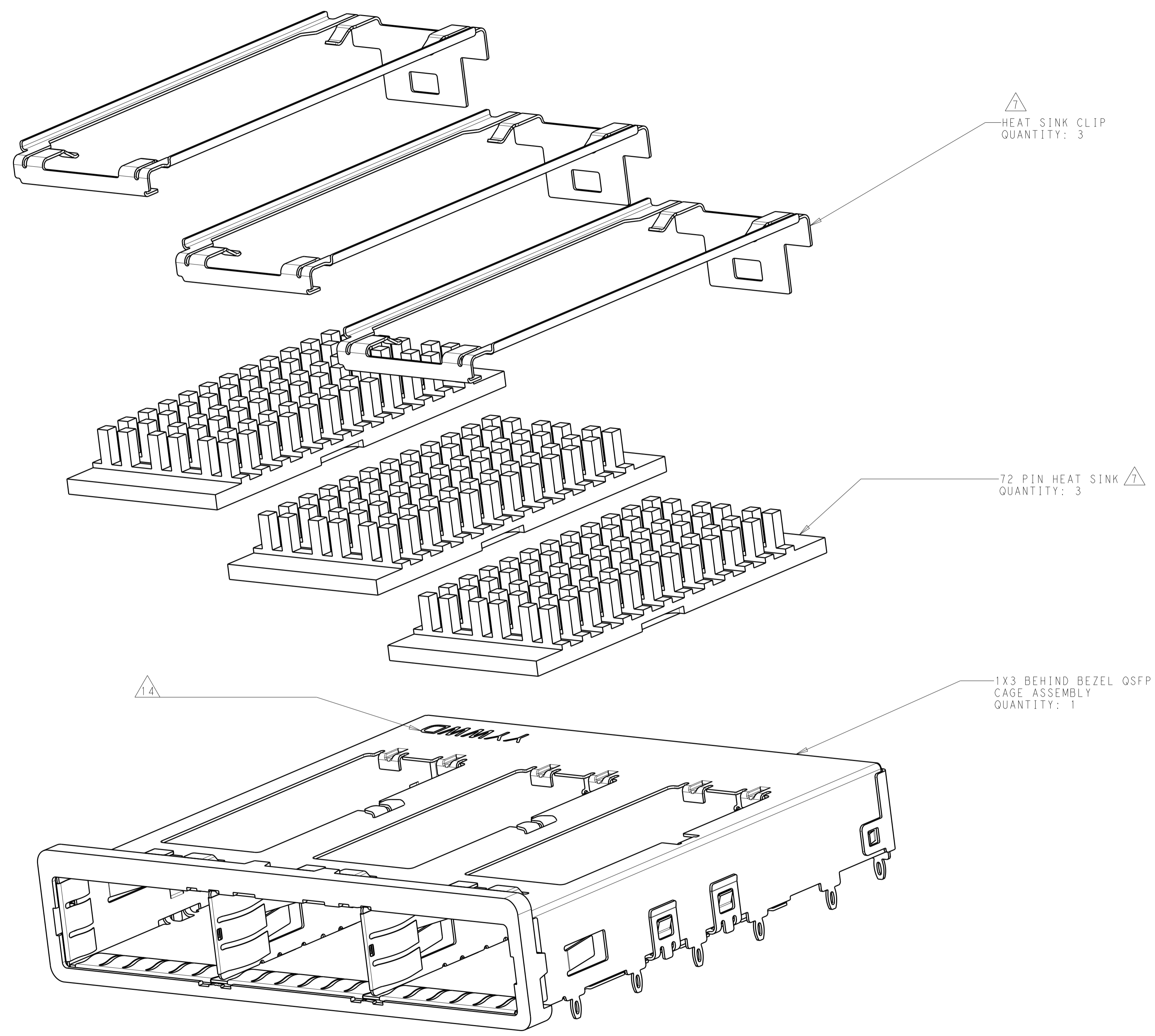
- $\Delta$  MATERIALS:  
 CAGE ASSEMBLY: NICKEL SILVER, 0.25 THICK  
 EMI SPRINGS: COPPER ALLOY  
 FRONT FLANGE: ZINC ALLOY  
 HEAT SINK: ALUMINUM  
 HEAT SINK CLIP: STAINLESS STEEL
- $\Delta$  PITCH BETWEEN PORTS OF ONE 1X3 CAGE ASSEMBLY.
- $\Delta$  SPACING BETWEEN CAGES ON THE SAME PC BOARD, TO BE SPECIFIED BY CUSTOMER, MUST COMPLY WITH MINIMUM DIMENSIONS SHOWN.
- $\Delta$  REFERENCE APPLICATION SPEC 114-XXXX FOR RECOMMENDED DRILL HOLE DIAMETER AND PLATING THICKNESS.
- $\Delta$  DATUMS AND BASIC DIMENSIONS ESTABLISHED BY CUSTOMER.
- $\Delta$  DIMENSION C IS THE NOMINAL THICKNESS OF CUSTOMER SUPPLIED PC BOARD.  
 MINIMUM SINGLE SIDED PC BOARD THICKNESS: 1.45mm  
 MINIMUM DOUBLE SIDED PC BOARD THICKNESS: 2.2mm PER QSFP
- $\Delta$  HEAT SINKS AND CLIPS SHIPPED ASSEMBLED TO CAGE ASSEMBLY.  
 CAGE ASSEMBLY MAY BE PRESSED INTO THE PCB AS SHIPPED.
- $\Delta$  DATUM A IS TOP SURFACE OF PC BOARD.
- $\Delta$  DIMENSION APPLIES WITH MODULE INSERTED IN CAGE.
- $\Delta$  UNPLATED THRU HOLE.
- $\Delta$  MATES WITH QSFP MSA COMPATIBLE TRANSCEIVER.
- $\Delta$  SURFACE TRACES PERMITTED WITHIN THIS AREA EXCEPT WHERE CAGE STANDOFFS, SHOWN IN DETAIL S, CONTACT PC BOARD.
- $\Delta$  BASELINE FOR THESE DIMENSIONS IS THE CENTER OF COMPLIANT PIN HOLE.
- $\Delta$  DATE CODE (YYWW) MARKED ON TOP OF CAGE AND CONCEALED BY HEAT SINKS APPLIES TO CAGE ASSEMBLY ONLY.
- $\Delta$  REFERENCE APP SPEC 114-XXXX FOR GASKET THICKNESS CALCULATION.
- $\Delta$  FINISH:  
 EMI SPRINGS: 2 $\mu$ m MINIMUM TIN  
 FRONT FLANGE: 3 $\mu$ m MINIMUM TIN OVER 1.27 $\mu$ m MINIMUM NICKEL  
 OVER 5.08 $\mu$ m MINIMUM COPPER  
 HEAT SINK: NICKEL.



23.0	NETWORKING	2173239-3
16.0	SAN	2173239-2
13.7	PCI	2173239-1
B	HEAT SINK PROFILE	PART NUMBER

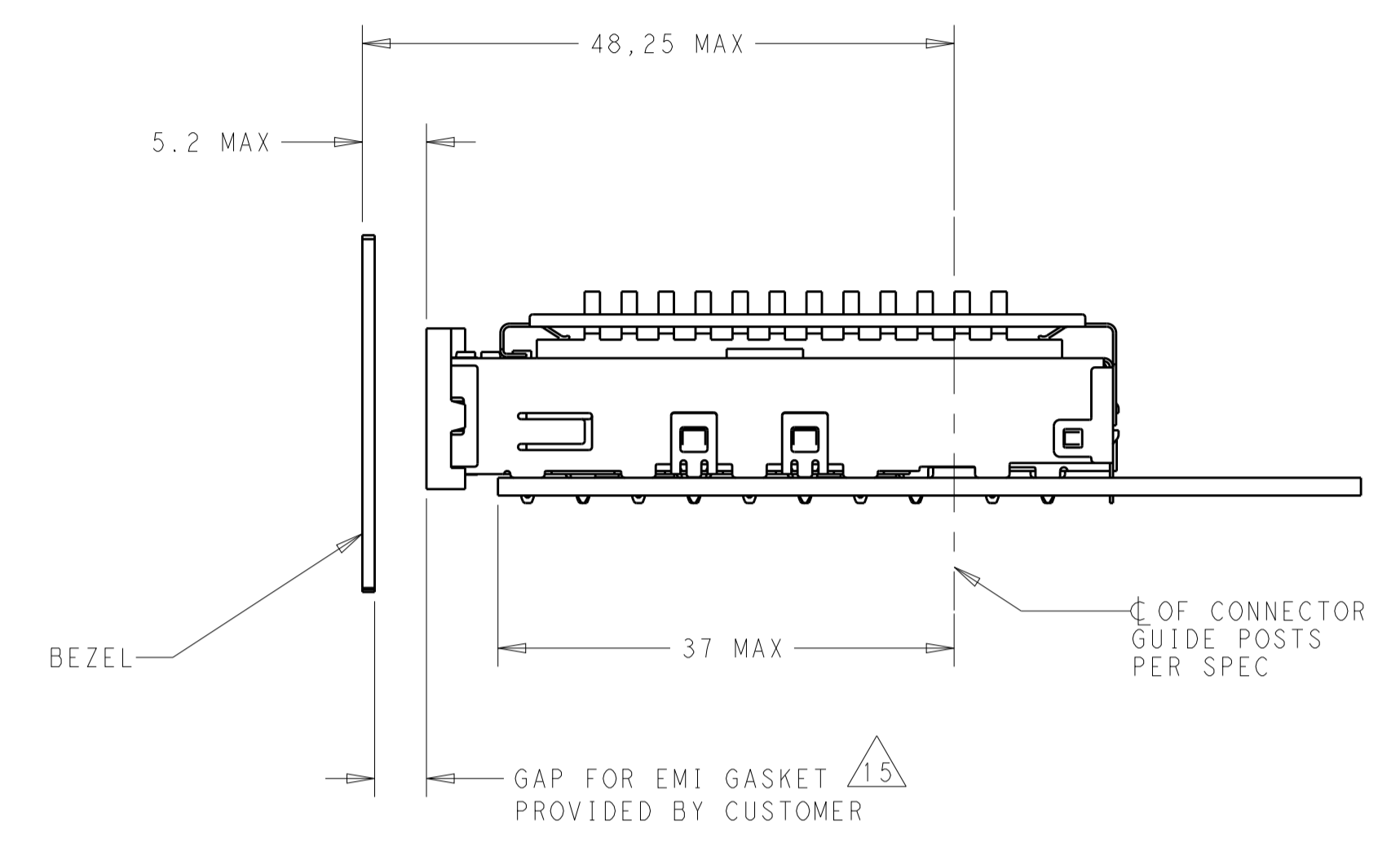
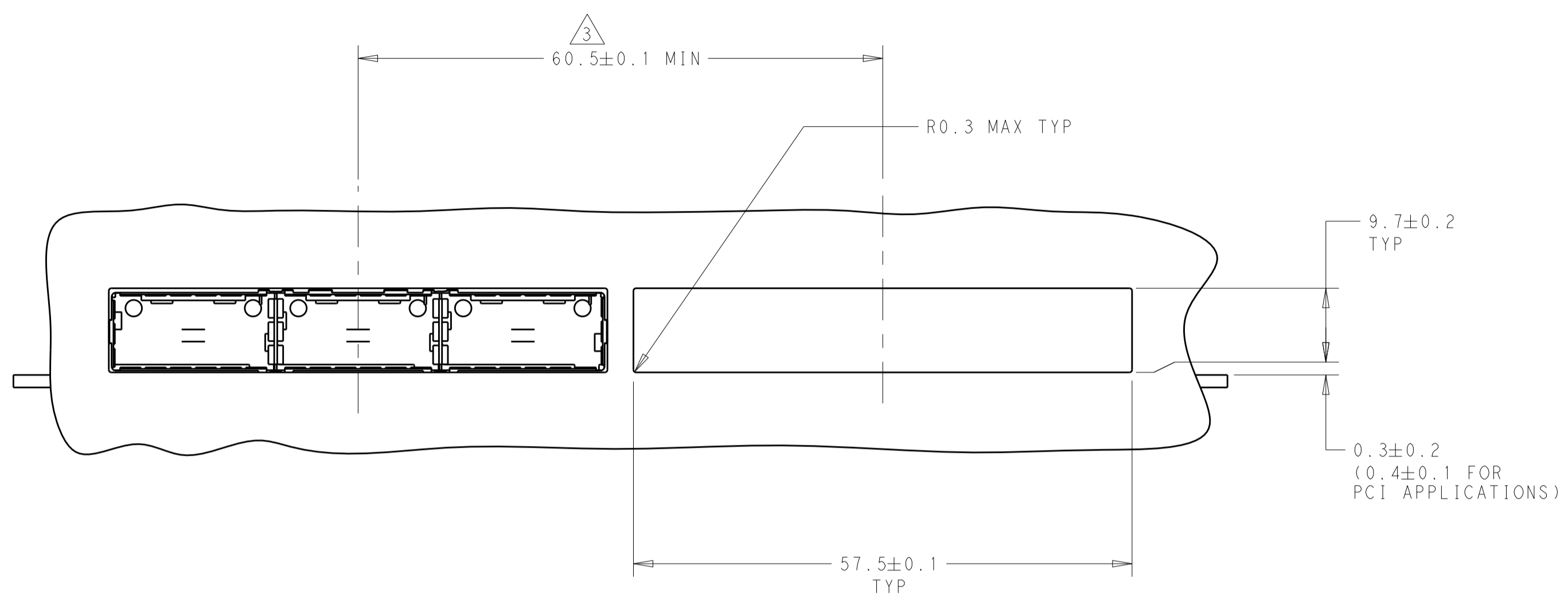
THIS DRAWING IS A CONTROLLED DOCUMENT. DIMENSIONING AND TOLERANCING PER ASME Y14.5M-2009.		DWN: J.V.D. HEIJDEN 12AUG2011 CHK: R. VERBEET 12AUG2011 APVD: T.D. ROER 15AUG2011	TE Connectivity	
DIMENSIONS: mm		PRODUCT SPEC: 108-XXXX		NAME: 1X3 CAGE ASSEMBLY, BEHIND BEZEL, W/ HEAT SINKS, 2QSFP+
TOLERANCES UNLESS OTHERWISE SPECIFIED: 0 PLC $\pm$ 1 PLC $\pm 0.1$ 2 PLC $\pm 0.1$ 3 PLC $\pm 0.013$ 4 PLC $\pm 0.0001$ ANGLES $\pm$		APPLICATION SPEC: 114-XXXX		
MATERIAL: $\Delta$		WEIGHT: -		SIZE: CAGE CODE DRAWING NO. RESTRICTED TO
FINISH: $\Delta 16$		CUSTOMER DRAWING		SCALE: 1:1 SHEET 1 OF 5 REV A

LOC	DIST	REVISIONS			
P	LTN	DESCRIPTION	DATE	DWN	APVD
GP	00	SEE SHEET 1	-	-	-

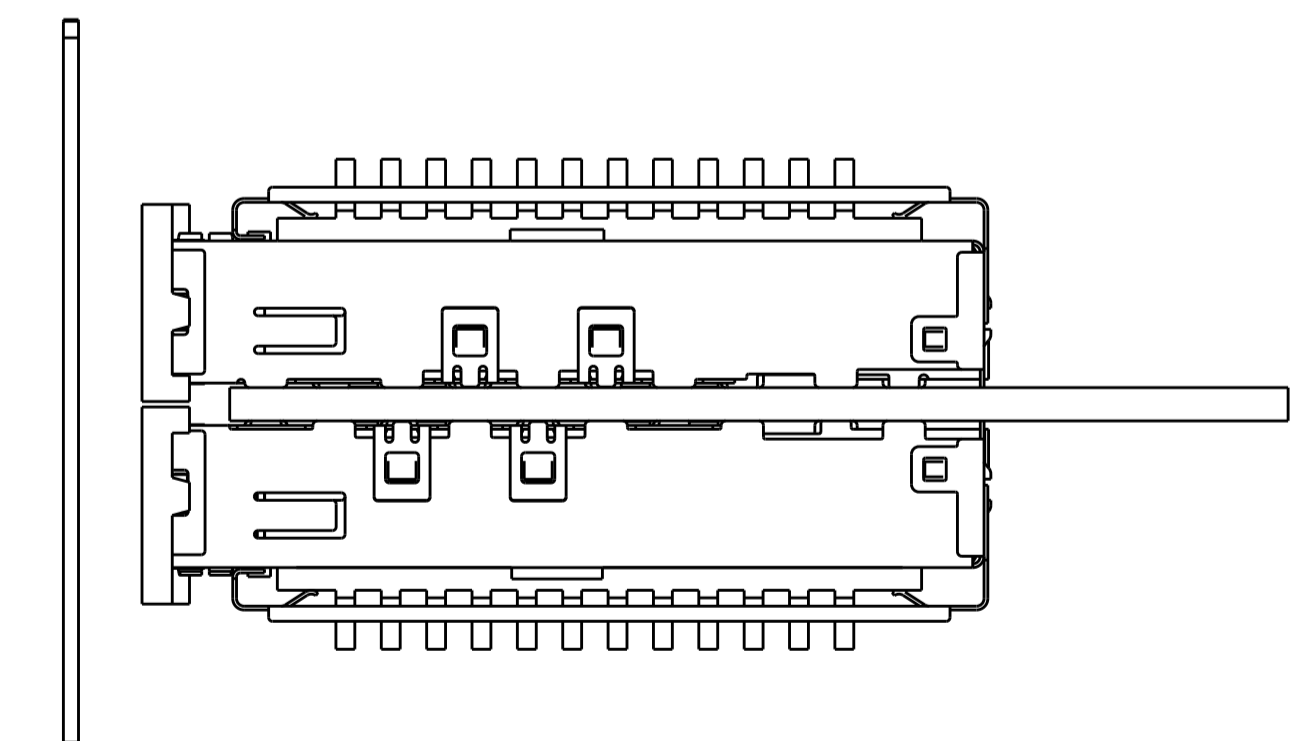
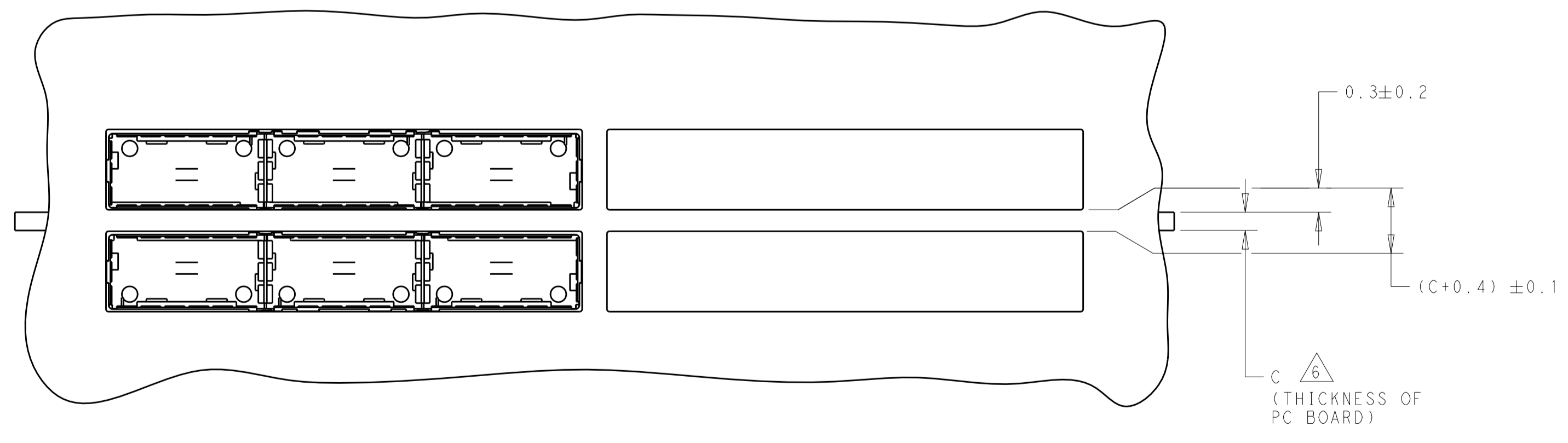


THIS DRAWING IS A CONTROLLED DOCUMENT. DIMENSIONING AND TOLERANCING PER ASME Y14.5M-2009.		DWN J.V.D. HEIJDEN 12AUG2011	TE Connectivity
TOLERANCES UNLESS OTHERWISE SPECIFIED:		CHK R. VERBEET 12AUG2011	
DIMENSIONS:	mm	APVD T.D. ROER 15AUG2011	NAME 1X3 CAGE ASSEMBLY, BEHIND BEZEL, W/ HEAT SINKS, 2QSFP+
	0 PLC ± 1 PLC ±0.1 2 PLC ±0.1 3 PLC ±0.013 4 PLC ±0.0001 ANGLES ±	PRODUCT SPEC 108- APPLICATION SPEC 114- WEIGHT	SIZE A100779C=2173239
MATERIAL	FINISH	CUSTOMER DRAWING	RESTRICTED TO SCALE 1:1 SHEET 2 OF 5 REV A

LOC	DIST	REVISIONS					
GP	00	P	LTN	DESCRIPTION	DATE	DMN	APVD
		-		SEE SHEET 1	-	-	-



ONE SIDED CONFIGURATION  
 SCALE 2:1

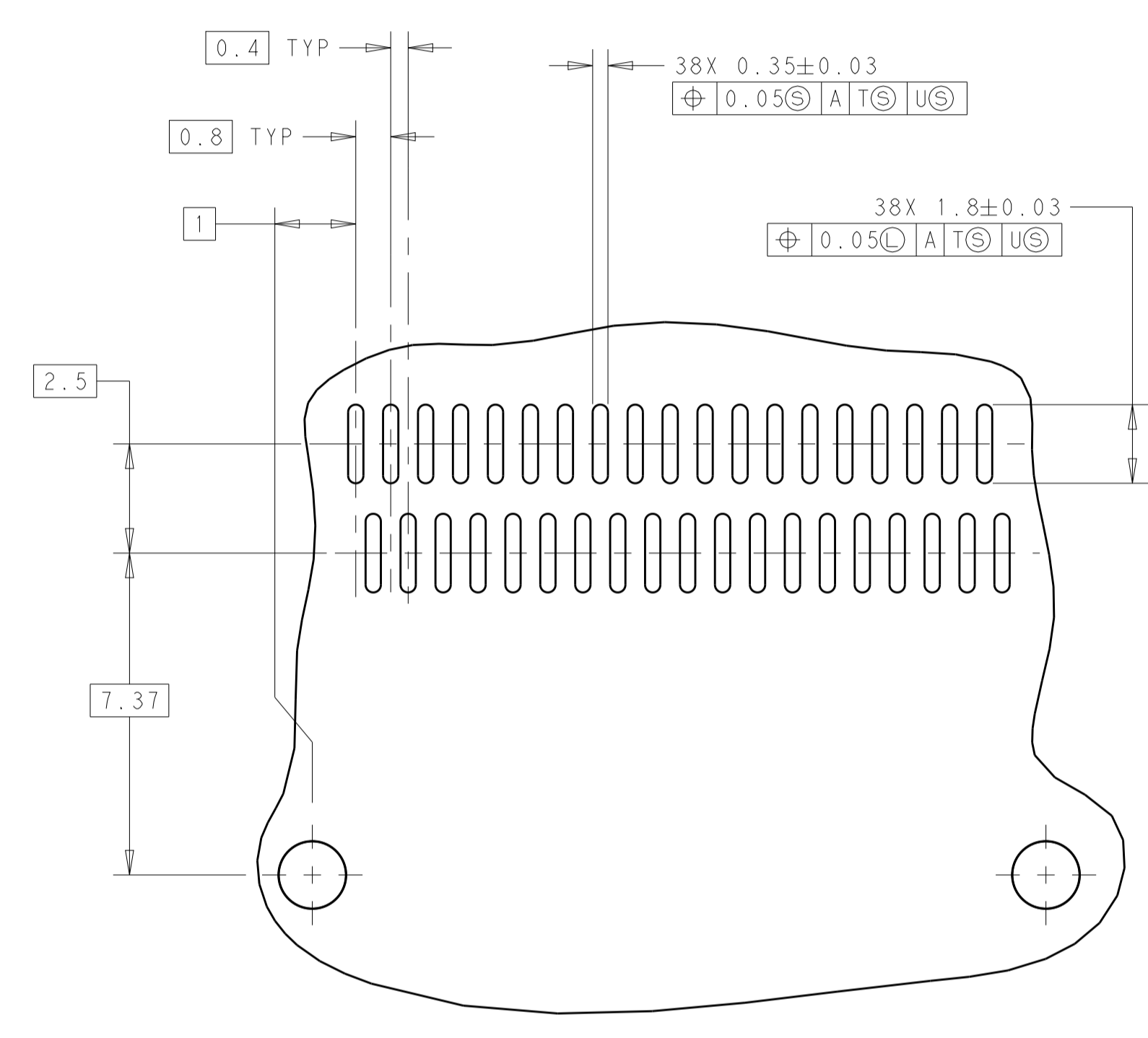
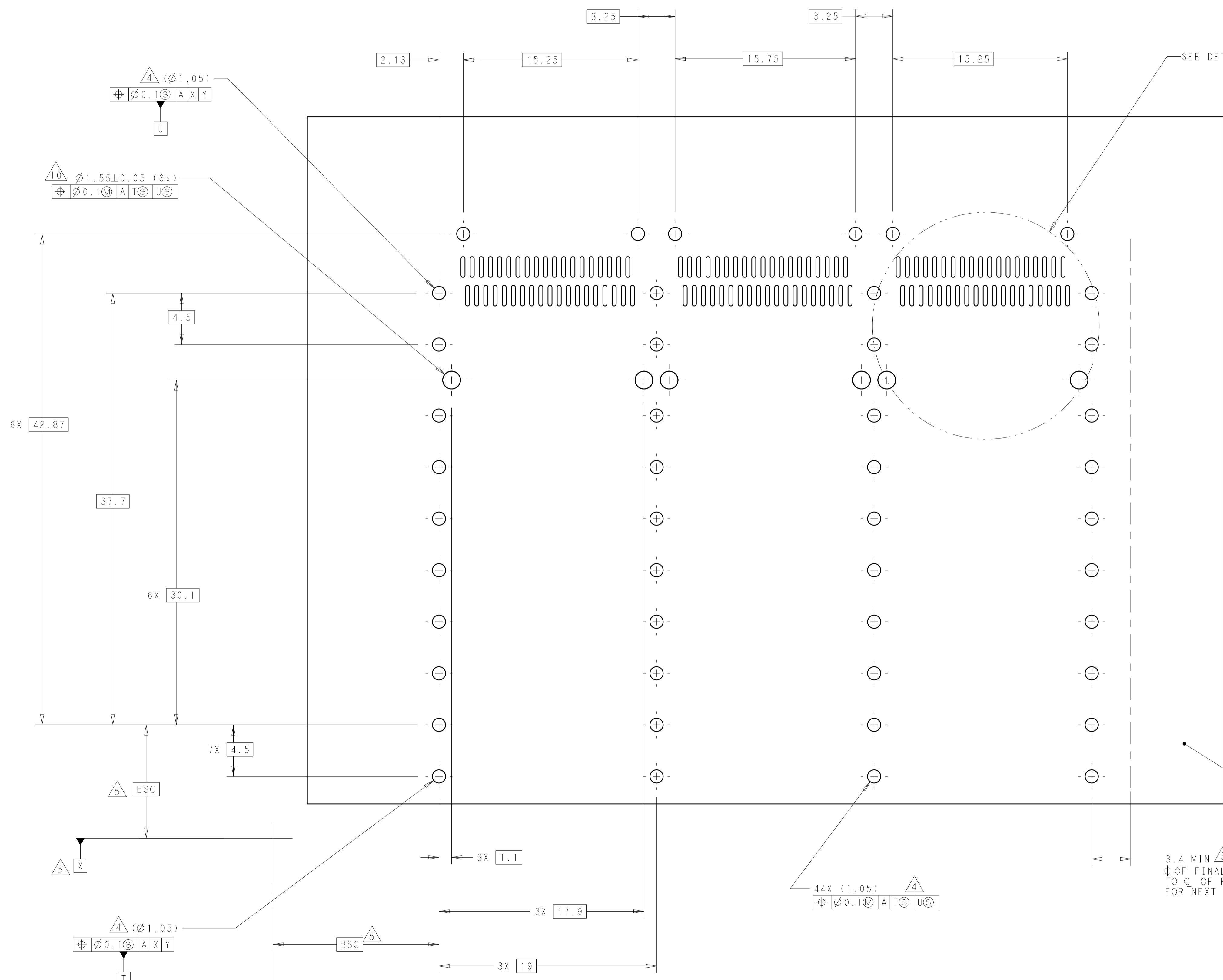


BELLY TO BELLY CONFIGURATION SIMILAR  
 TO ONE SIDED EXCEPT WHERE NOTED  
 SCALE 2:1

THIS DRAWING IS A CONTROLLED DOCUMENT. DIMENSIONING AND TOLERANCING PER ASME Y14.5M-2009		DMN J.V.D. HEIJDEN 12AUG2011	CHK R. VERBEEET 12AUG2011	APVD T.D. ROER 15AUG2011	NAME 1X3 CAGE ASSEMBLY, BEHIND BEZEL, W/ HEAT SINKS, 2QSFP+
DIMENSIONS:	TOLERANCES UNLESS OTHERWISE SPECIFIED:	PRODUCT SPEC			RESTRICTED TO
mm	0 PLC ± 1 PLC ±0.1 2 PLC ±0.1 3 PLC ±0.013 4 PLC ±0.0001	APPLICATION SPEC			SIZE CAGE CODE DRAWING NO
	ANGLES ±	114- WEIGHT			A100779C=2173239
MATERIAL	FINISH	CUSTOMER DRAWING			SCALE 4:1 SHEET 3 OF 5 REV A



LOC	DIST	REVISIONS			
P	LTN	DESCRIPTION	DATE	DMN	APVD
-	-	SEE SHEET 1	-	-	-



DETAIL K  
 3 PLACES  
 SCALE 8:1

RECOMMENDED PC BOARD LAYOUT  
 BELLY TO BELLY CONFIGURATION  
 SEE SHEET 4 FOR COMPONENT  
 AND TRACE KEEP-OUTS  
 SCALE 5:1

THIS DRAWING IS A CONTROLLED DOCUMENT. DIMENSIONING AND TOLERANCING PER ASME Y14.5M-2009		DMN: J.V.D. HEIJLEN 12AUG2011 CHK: R. VERBEET 12AUG2011 APVD: T.D. ROER 15AUG2011	TE Connectivity NAME: 1X3 CAGE ASSEMBLY, BEHIND BEZEL, W/ HEAT SINKS, 2QSFP+	
DIMENSIONS: mm	TOLERANCES UNLESS OTHERWISE SPECIFIED:	PRODUCT SPEC: 108----	APPLICATION SPEC: 114----	RESTRICTED TO: -
0 PLC ±0.1	1 PLC ±0.1	2 PLC ±0.1	3 PLC ±0.013	4 PLC ±0.0001
MATERIAL:	FINISH:	WEIGHT:	SCALE: 1:1	SHEET 5 OF 5 REV A
CUSTOMER DRAWING		A100779C=2173239		